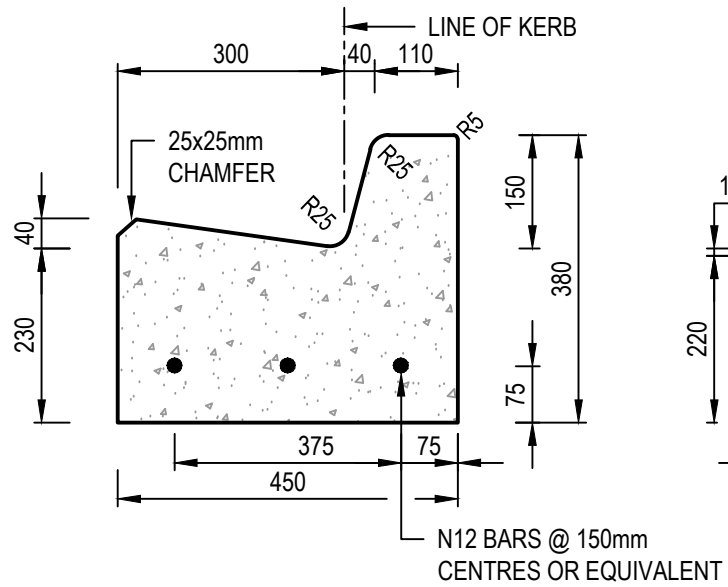


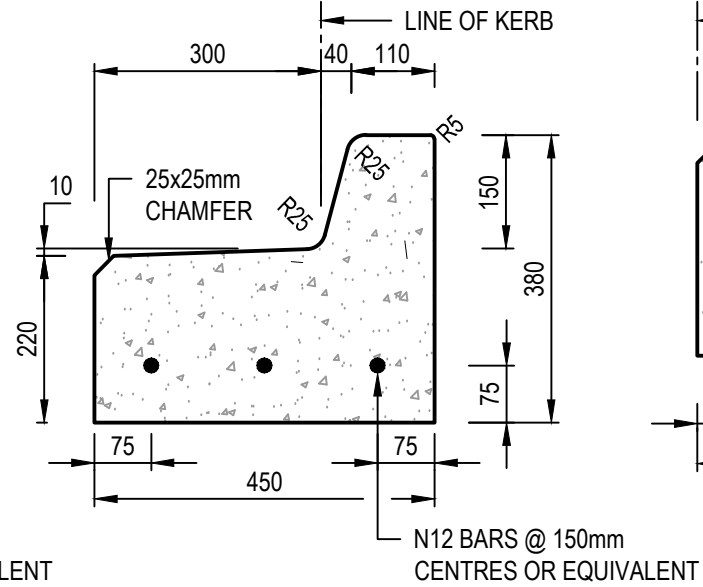
**150mm BARRIER KERB ONLY
(INDUSTRIAL)**

①



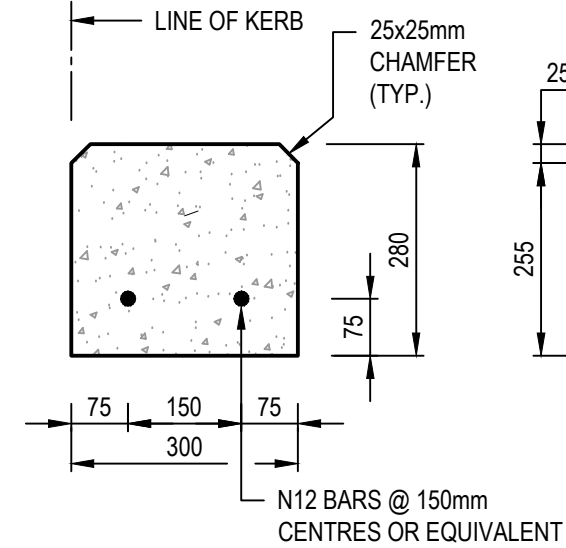
**150mm BARRIER KERB AND WATER TABLE
(INDUSTRIAL)**

②



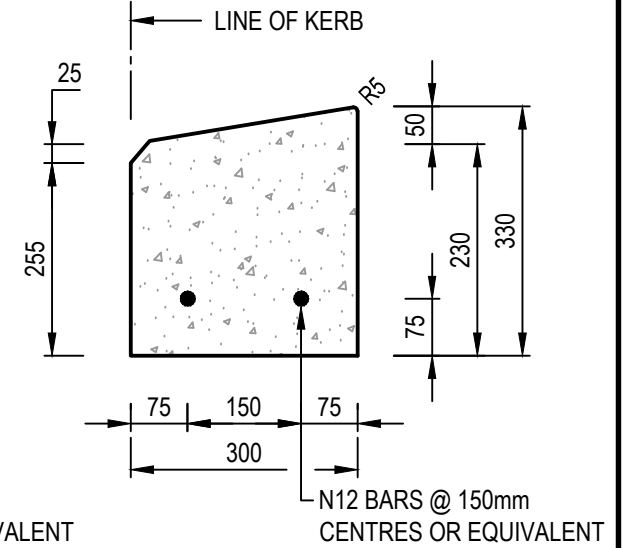
**150mm BARRIER KERB AND TRAY
(INDUSTRIAL)**

③



**EDGE STRIP
(INDUSTRIAL)**

④

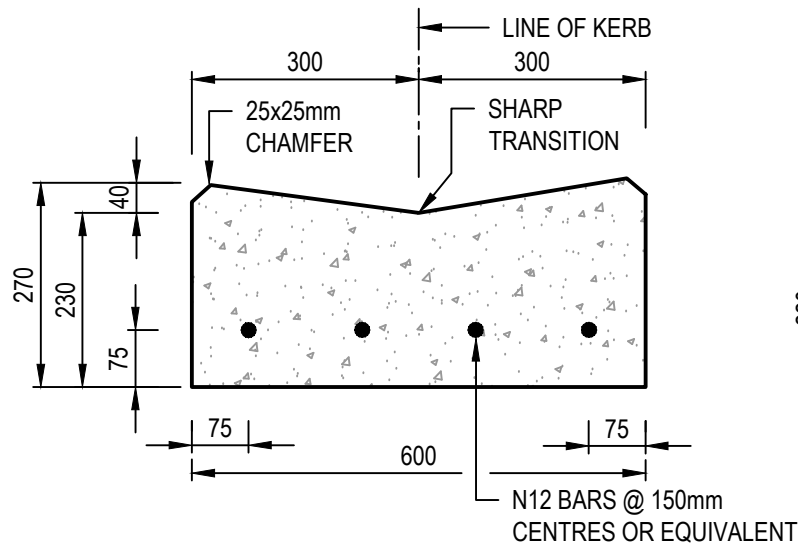


**MOUNTABLE KERB
(INDUSTRIAL)**

⑤

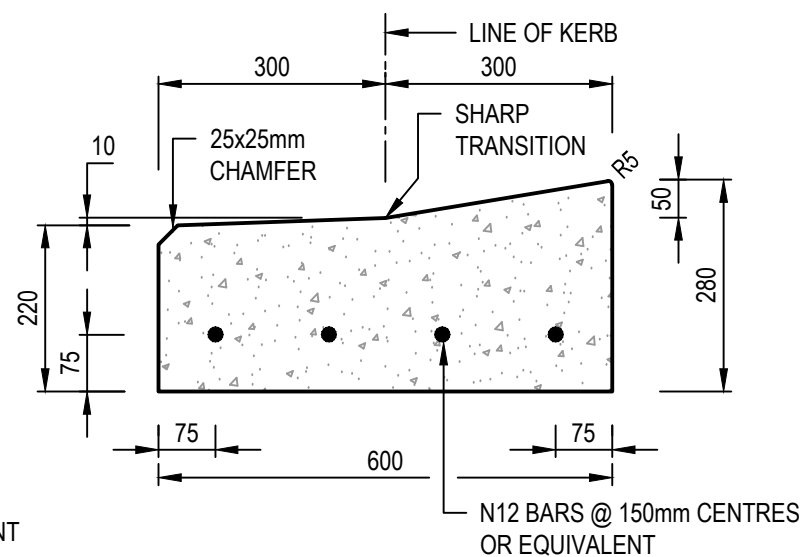
NOTES:

- REFER TYPICAL RESIDENTIAL KERB PROFILE DRAWING SD 100



**600mm WIDE SPOON DRAIN
(INDUSTRIAL)**

⑥



**MOUNTABLE KERB AND TRAY
(INDUSTRIAL)**

⑦

ALL MEASUREMENTS IN MILLIMETRES

REV	DESCRIPTION	DATE	DES	DRW	APP
D	MINOR AMENDMENTS	06.11.2018	AF	AF	MDH
C	MINOR AMENDMENTS	18.07.2017	JZ	JC	DSL
B	ISSUED FOR REVIEW	10.05.2016	JZ	DL	DSL
A	ISSUED FOR REVIEW	15.03.2016	JZ	DL	DSL

THIS PROJECT HAS BEEN ASSISTED BY THE LOCAL GOVERNMENT RESEARCH AND DEVELOPMENT SCHEME AND INSTITUTE OF PUBLIC WORKS ENGINEERING AUSTRALASIA

INFRASTRUCTURE GUIDELINES (SA)

SHEET TITLE
TYPICAL INDUSTRIAL KERB PROFILES

SCALE
1:10 @ A3

DRAWING No. **SD 105** REV **D**