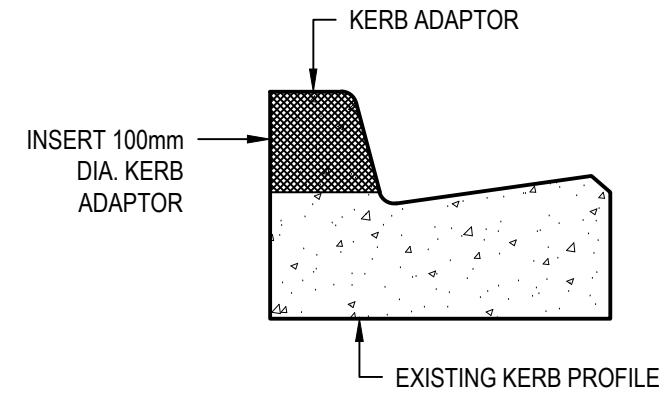
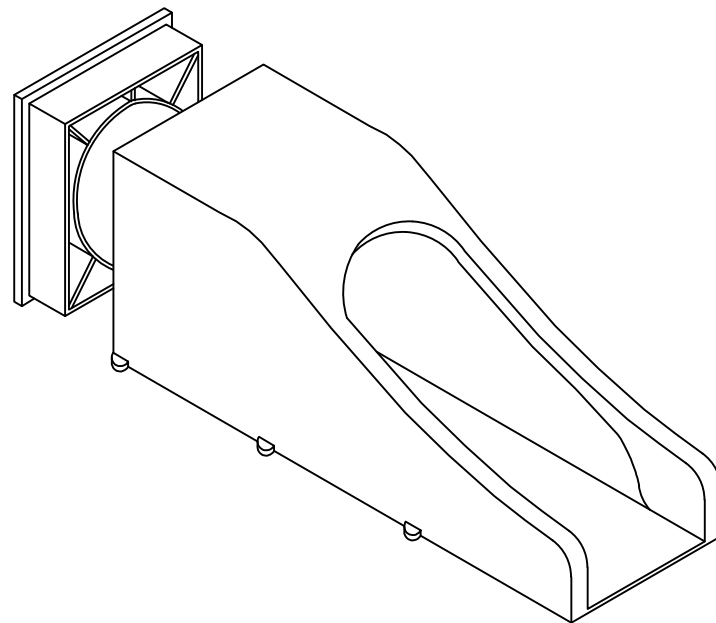


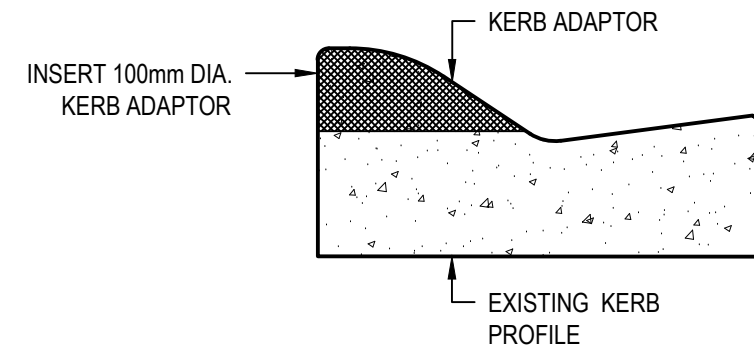
KERB ADAPTOR - UPRIGHT KERB



UPRIGHT KERB WITH KERB ADAPTOR
SECTIONAL VIEW



KERB ADAPTOR - SEMI MOUNTABLE KERB



SEMI MOUNTABLE KERB WITH KERB ADAPTOR
SECTIONAL VIEW

NOTES:

1. ALL KERB ADAPTORS ARE TO BE AN APPROVED PROPRIETARY PRODUCT CONSTRUCTED FROM EITHER HEAVY DUTY UPVC OR HOT DIPPED GALVANIZED MILD STEEL.
2. KERB IS TO BE NEATLY SAW CUT & KERB ADAPTOR EPOXIED INTO POSITION.

ALL MEASUREMENTS IN MILLIMETRES

						INFRASTRUCTURE GUIDELINES (SA)			
						SHEET TITLE			
						STORMWATER KERB OUTLET DETAILS			
						- EXISTING KERB			
B	ISSUED FOR REVIEW	10.05.2016	JZ	DL	DSL	SCALE		1:10 @ A3	
A	ISSUED FOR REVIEW	15.03.2016	JZ	DL	DSL	DRAWING No.		REV	
REV	DESCRIPTION	DATE	DES	DRW	APP	SD 120		B	
THIS PROJECT HAS BEEN ASSISTED BY THE LOCAL GOVERNMENT RESEARCH AND DEVELOPMENT SCHEME AND INSTITUTE OF PUBLIC WORKS ENGINEERING AUSTRALASIA									