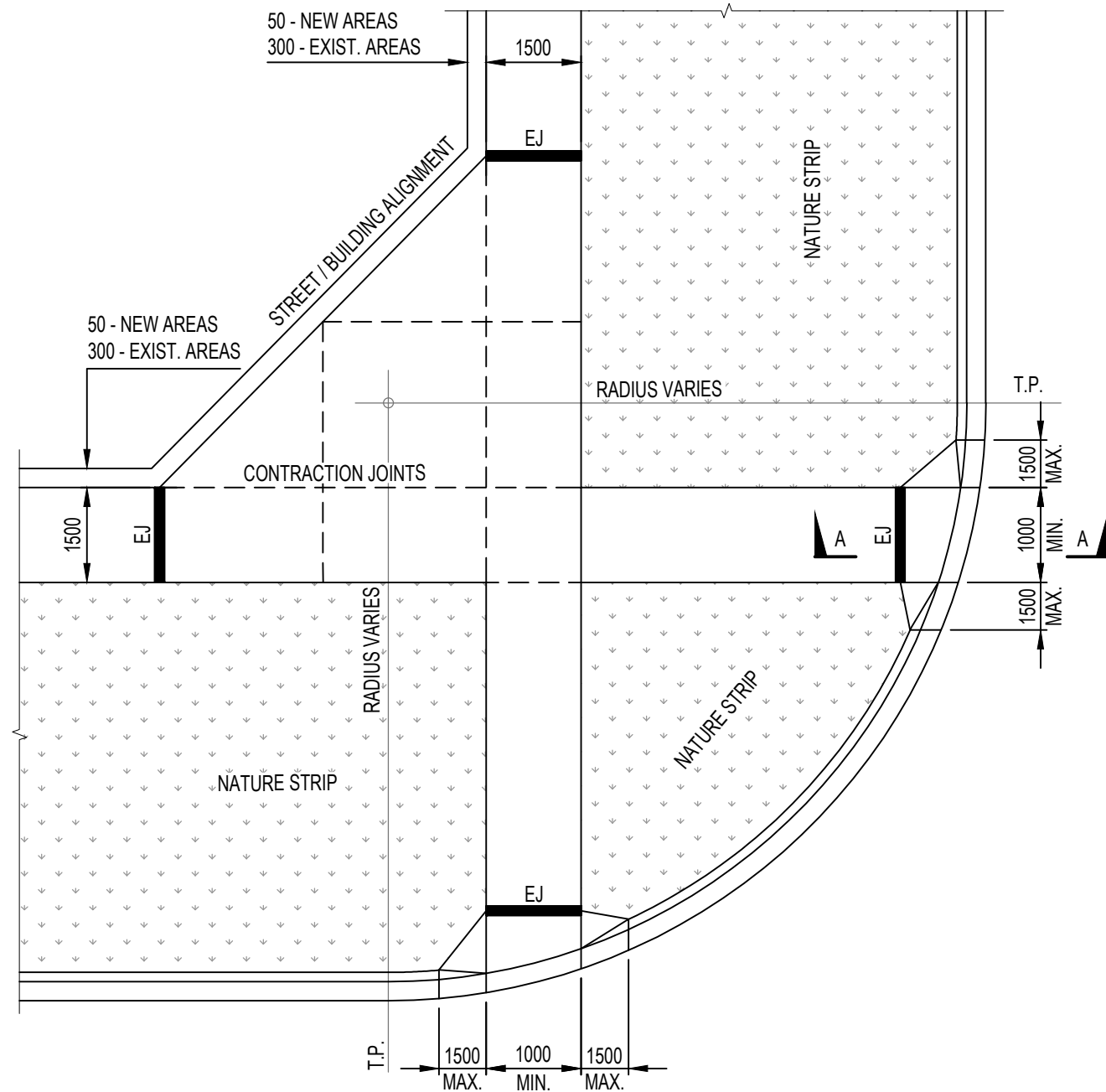


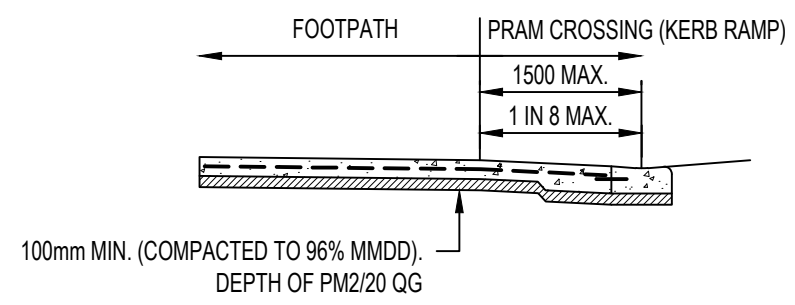
LEGEND:

EXPANSION JOINT 

CONTRACTION JOINTS 



TYPICAL ARRANGEMENT PLAN
SCALE 1:100



SECTION A-A
SCALE NTS

NOTE:
KERB RAMP DETAILS. REFER TO SD 125 AND SD 130.

NOTES:

1. LOCATION OF CROSSINGS TO BE CASE BY CASE & TO BE APPROVED BY COUNCIL.
2. CROSSING GENERALLY TO BE LOCATED AT TANGENT POINTS.
3. CONCRETE TO BE SMOOTH TROWELLED FINISH ON TRAY.
4. CONCRETE TO BE FINE SOFT HAIR BROOM FINISH ON LAYBACK.
5. MINIMUM CONCRETE STRENGTH TO BE 32 MPA.
6. BEDDING TO BE COMPACTED PM2/20 QG 100mm MIN. THICKNESS.
7. IF SPLAY IS NOT REQUIRED FOOTPATH IS TO CONTINUE THROUGH TO LAYBACKS.
8. TG'S (TILES), WHERE REQUIRED, ARE TO BE TO BE INSTALLED TO AS1428.4

ALL MEASUREMENTS IN MILLIMETRES

REV	DESCRIPTION	DATE	DES	DRW	APP
B	ISSUED FOR REVIEW	18.07.2017	JZ	DL	DSL
B	ISSUED FOR REVIEW	10.05.2016	JZ	DL	DSL
A	ISSUED FOR REVIEW	15.03.2016	JZ	DL	DSL

THIS PROJECT HAS BEEN ASSISTED BY THE LOCAL GOVERNMENT RESEARCH AND DEVELOPMENT SCHEME AND INSTITUTE OF PUBLIC WORKS ENGINEERING AUSTRALASIA

INFRASTRUCTURE GUIDELINES (SA)	
SHEET TITLE	
TYPICAL PEDESTRIAN CROSSING ARRANGEMENT DETAIL	
SCALE	REV
AS SHOWN @ A3	C
DRAWING No.	
SD 200	