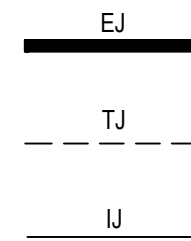


LEGEND:

EXPANSION JOINT @ 12m CTS. MAX.

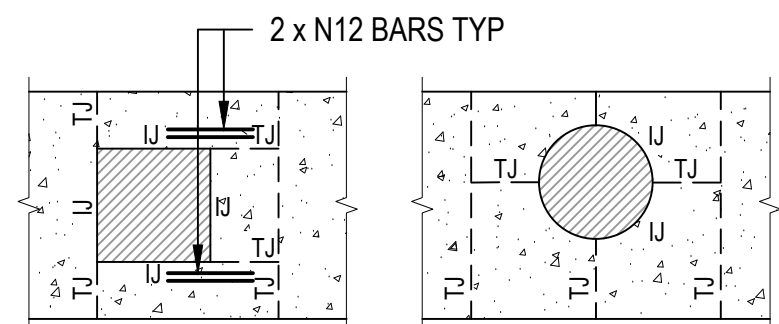
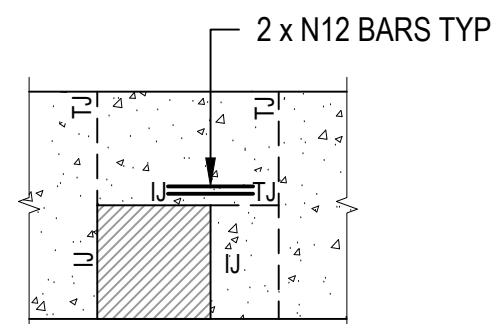
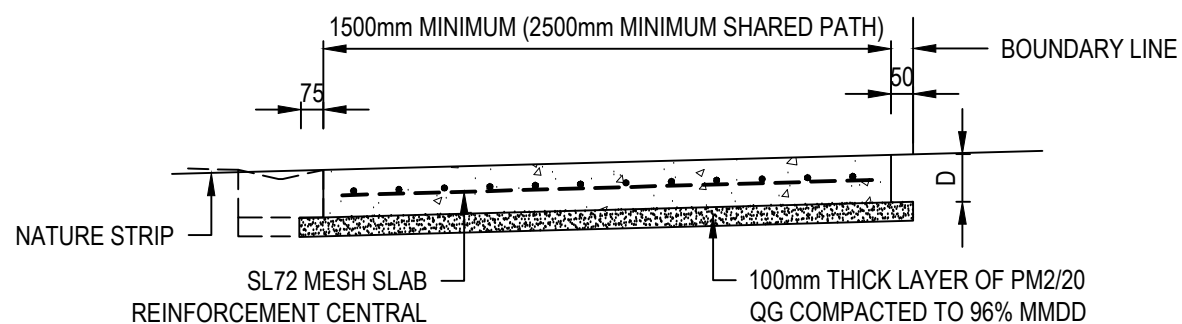
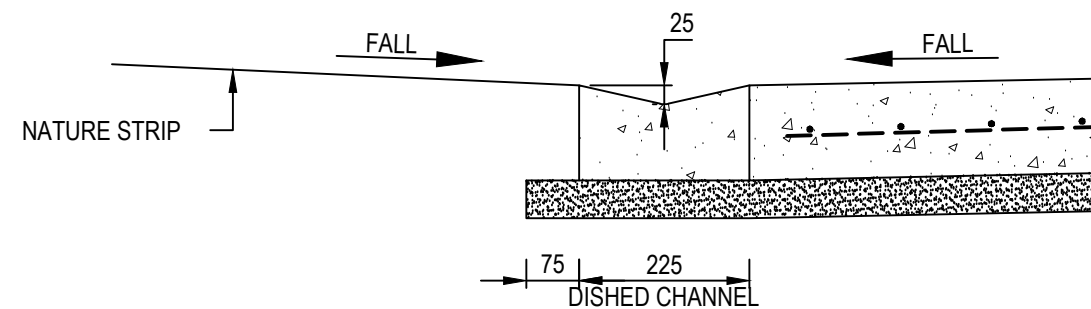
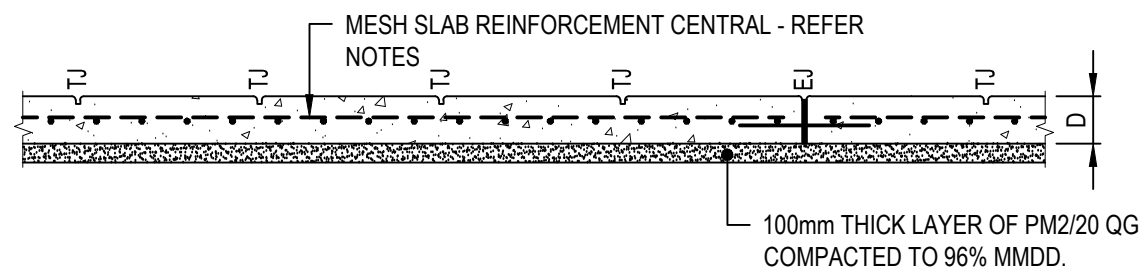
CONTRACTION/TOOLED JOINTS @ 2000mm CTS. MAX.

ISOLATION JOINT



NOTES:

- 'D' = DEPTH OF CONCRETE FOOTPATH
 - EXISTING RESIDENTIAL: D = 100mm 25MPa WITH SL62.
 - NEW RESIDENTIAL: D = 125mm 25MPa WITH SL72.
 - EXPOSED AGGREGATE: D = 125mm 32MPa WITH SL72
 - COMMERCIAL/INDUSTRIAL: D = 150mm 32MPa WITH SL82 (TOP) 50 COVER.
- REFER SD 210 FOR DETAILS OF JOINT TYPES.
- ALIGNMENT OF FOOTPATH TO BE SHOWN ON DESIGN PLANS AND APPROVED BY COUNCIL.



ALL MEASUREMENTS IN MILLIMETRES

REV	DESCRIPTION	DATE	DES	DRW	APP
D	MINOR AMENDMENTS	06.11.2018	AF	AF	MDH
C	MINOR AMENDMENTS	18.07.2017	JZ	DL	DSL
B	ISSUED FOR REVIEW	10.05.2016	JZ	DL	DSL
A	ISSUED FOR REVIEW	15.03.2016	JZ	DL	DSL

THIS PROJECT HAS BEEN ASSISTED BY THE LOCAL GOVERNMENT RESEARCH AND DEVELOPMENT SCHEME AND INSTITUTE OF PUBLIC WORKS ENGINEERING AUSTRALASIA

INFRASTRUCTURE GUIDELINES (SA)

SHEET TITLE
**TYPICAL CONCRETE FOOTPATH
DETAIL - SHEET 1 OF 2**

SCALE
NTS @ A3

DRAWING No. **SD 205** REV **D**