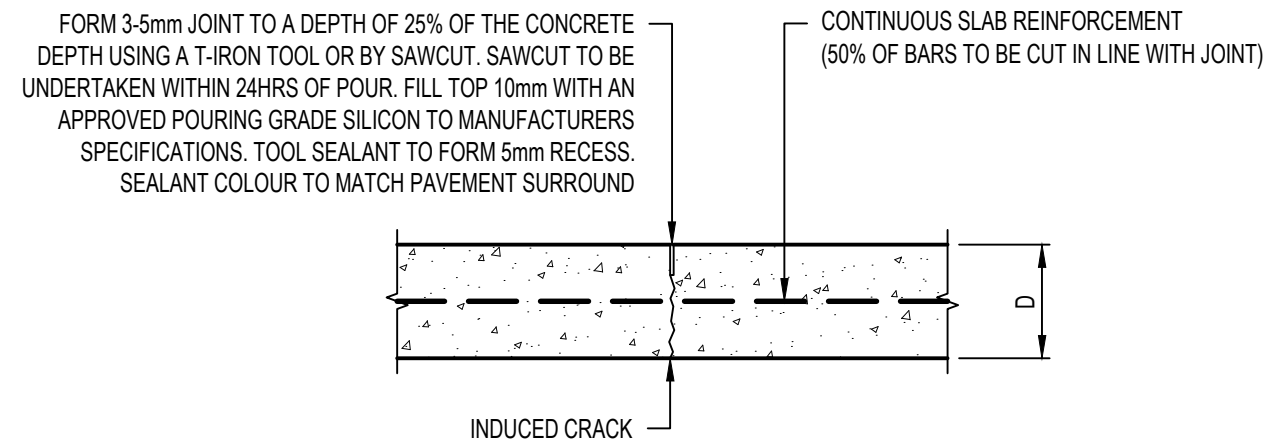
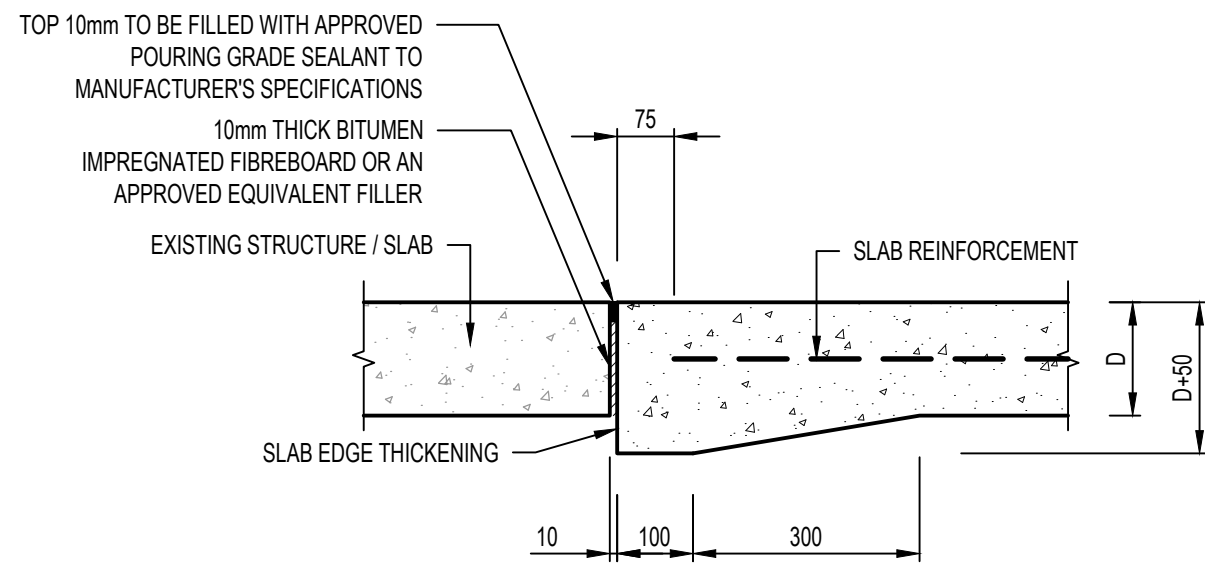


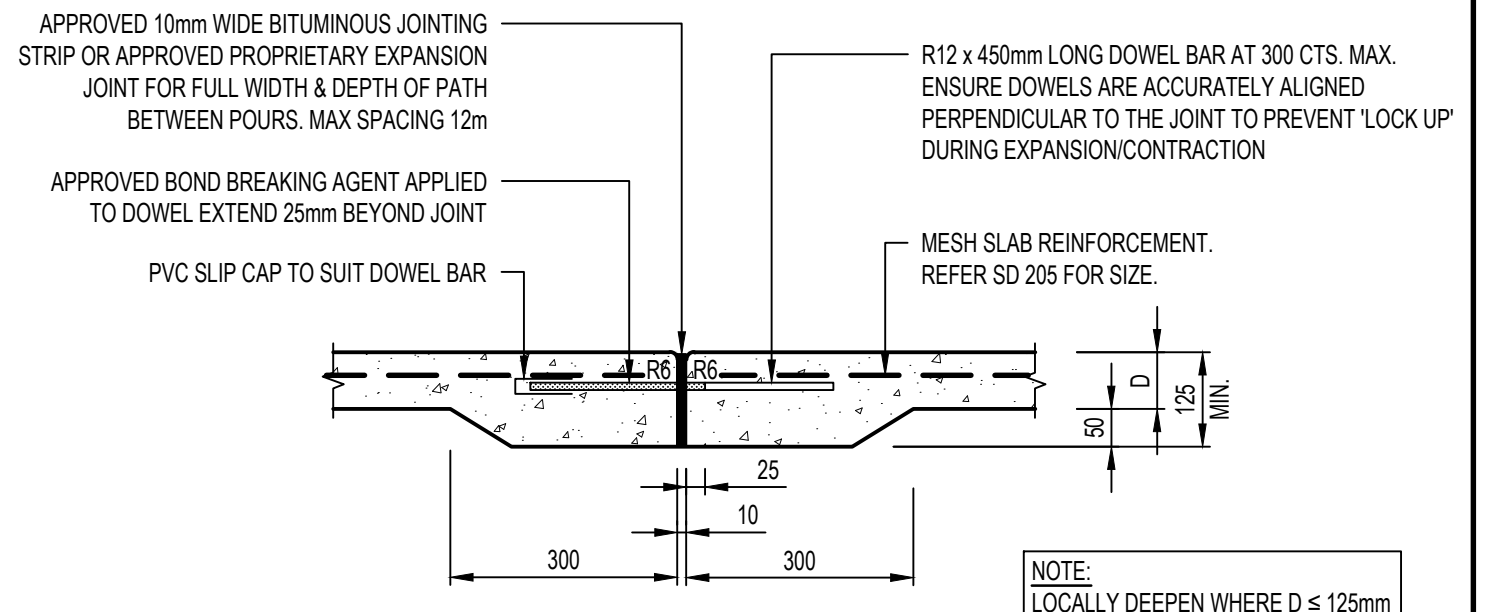
TYPICAL FUTURE CONSTRUCTION JOINT



TYPICAL CONTRACTION / TOOLED JOINT



TYPICAL ISOLATION JOINT SECTION



TYPICAL FOOTPATH EXPANSION JOINT - SECTION

NOTE:

1. PROPRIETARY EXPANSION JOINTS SUCH AS TRIPSTOP CAN BE USED WITH COUNCIL APPROVAL IN REACTIVE SOILS OR WHERE TREE ROOTS MAY AFFECT PATHS.

ALL MEASUREMENTS IN MILLIMETRES

REV	DESCRIPTION	DATE	DES	DRW	APP
C	MINOR AMENDMENTS	18.07.2017	JZ	JC	DSL
B	ISSUED FOR REVIEW	10.05.2016	JZ	DL	DSL
A	ISSUED FOR REVIEW	15.03.2016	JZ	DL	DSL

THIS PROJECT HAS BEEN ASSISTED BY THE LOCAL GOVERNMENT RESEARCH AND DEVELOPMENT SCHEME AND INSTITUTE OF PUBLIC WORKS ENGINEERING AUSTRALASIA

INFRASTRUCTURE GUIDELINES (SA)

SHEET TITLE
TYPICAL CONCRETE FOOTPATH DETAIL
 SHEET 2 OF 2

SCALE
 1:10 @ A3

DRAWING No. **SD 210** REV **C**