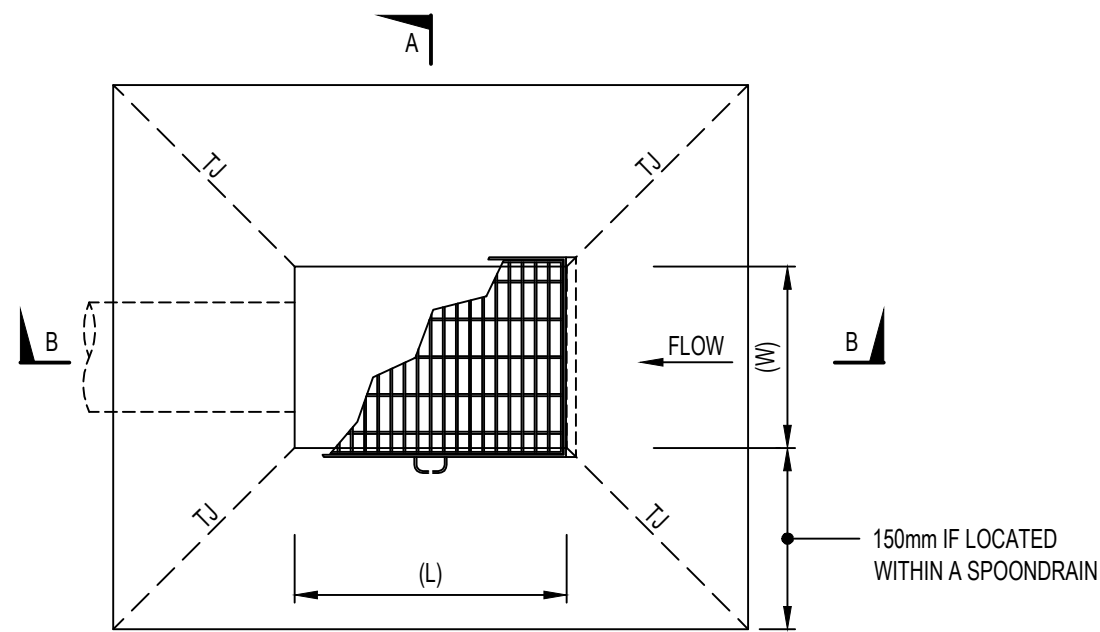


**LEGEND:**

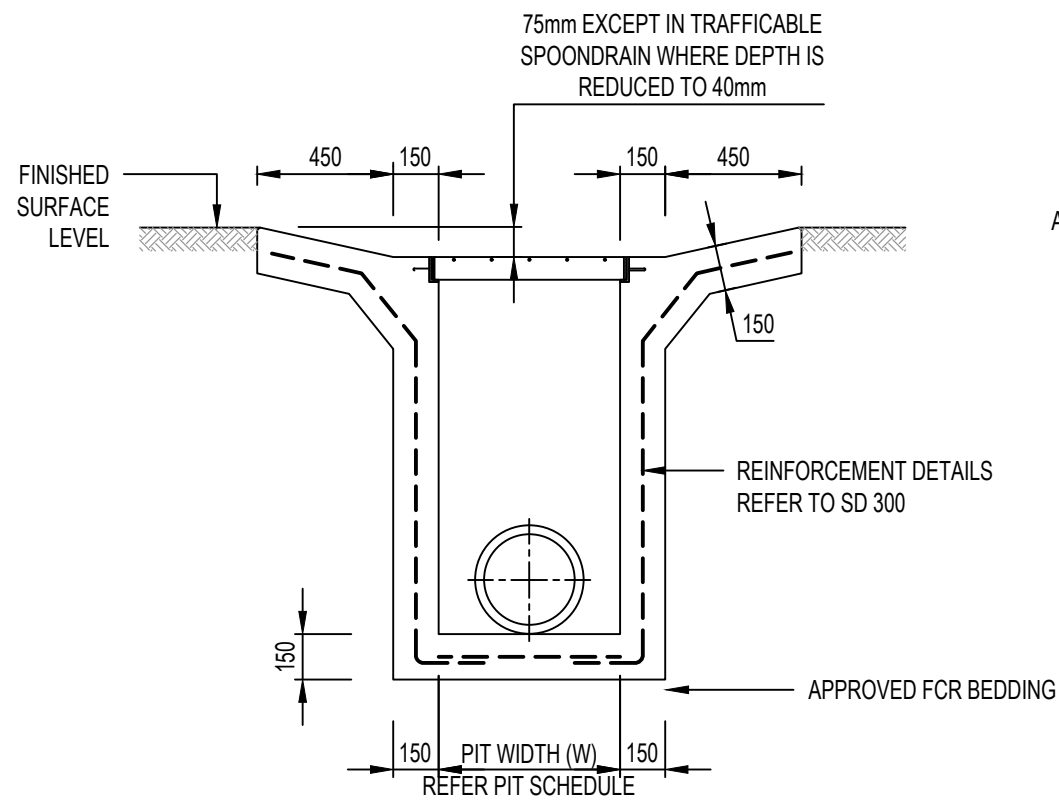
TOOLED JOINT (REFER TO SD210) --- TJ ---

**NOTES:**

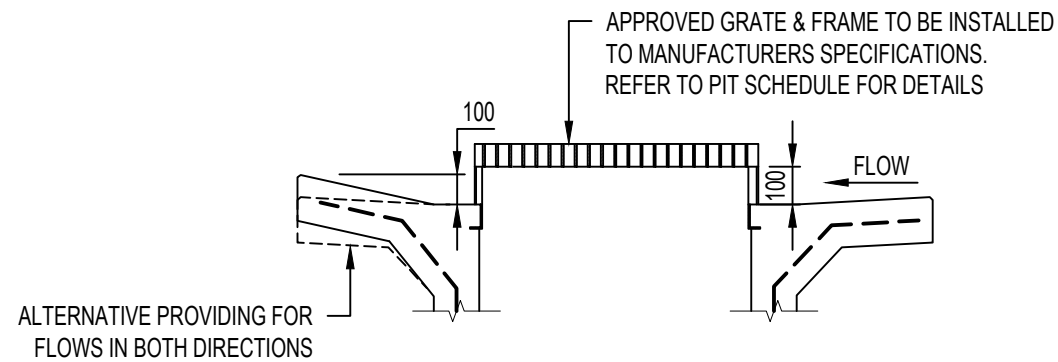
1. HEAVY DUTY COVERS TO BE USED WHEN SUBJECT TO TRAFFICABLE LOADS (AS3996 CLASS D - 210kN) OR APPROVED EQUIVALENT. MEDIUM DUTY COVERS TO BE USED IN OFF ROAD USE (AS3996 CLASS B - 80kN) OR APPROVED EQUIVALENT.
2. IF PIT IS LOCATED WITHIN A SPOON DRAIN REDUCE DEPRESSION TO 40mm
3. USE HEELSAFE GRATES IN PEDESTRIAN AREAS U.N.O.
4. GRATES TO BE BOLT DOWN U.N.O.



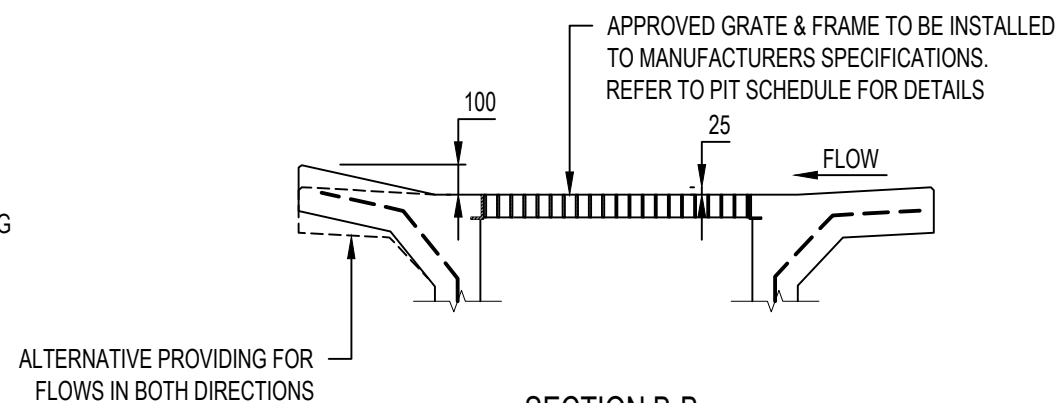
**PLAN**



**SECTION A-A**



**ALTERNATIVE ARRANGEMENT**



**SECTION B-B**

ALL MEASUREMENTS IN MILLIMETRES

REV	DESCRIPTION	DATE	DES	DRW	APP
C	MINOR AMENDMENTS	18.07.2017	JZ	JC	DSL
B	ISSUED FOR REVIEW	10.05.2016	JZ	DL	DSL
A	ISSUED FOR REVIEW	15.03.2016	RJF	DL	DSL

THIS PROJECT HAS BEEN ASSISTED BY THE LOCAL GOVERNMENT RESEARCH AND DEVELOPMENT SCHEME AND INSTITUTE OF PUBLIC WORKS ENGINEERING AUSTRALASIA

INFRASTRUCTURE GUIDELINES (SA)

SHEET TITLE  
**STORMWATER DEPRESSED GRATED PIT**

SCALE  
NTS @ A3

DRAWING No. **SD 310** REV **C**