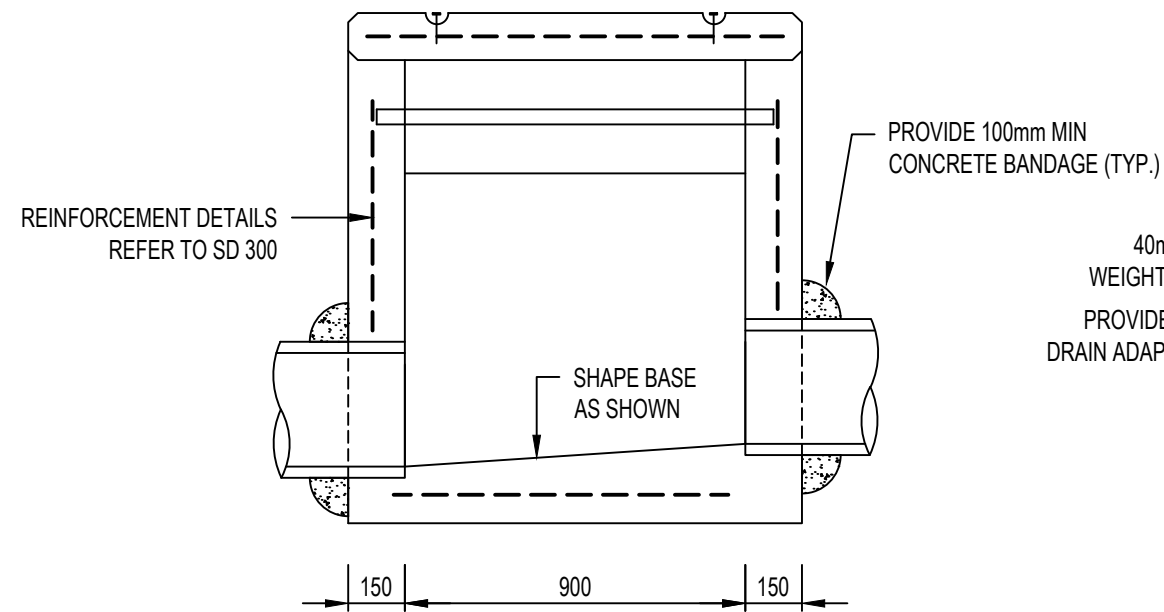


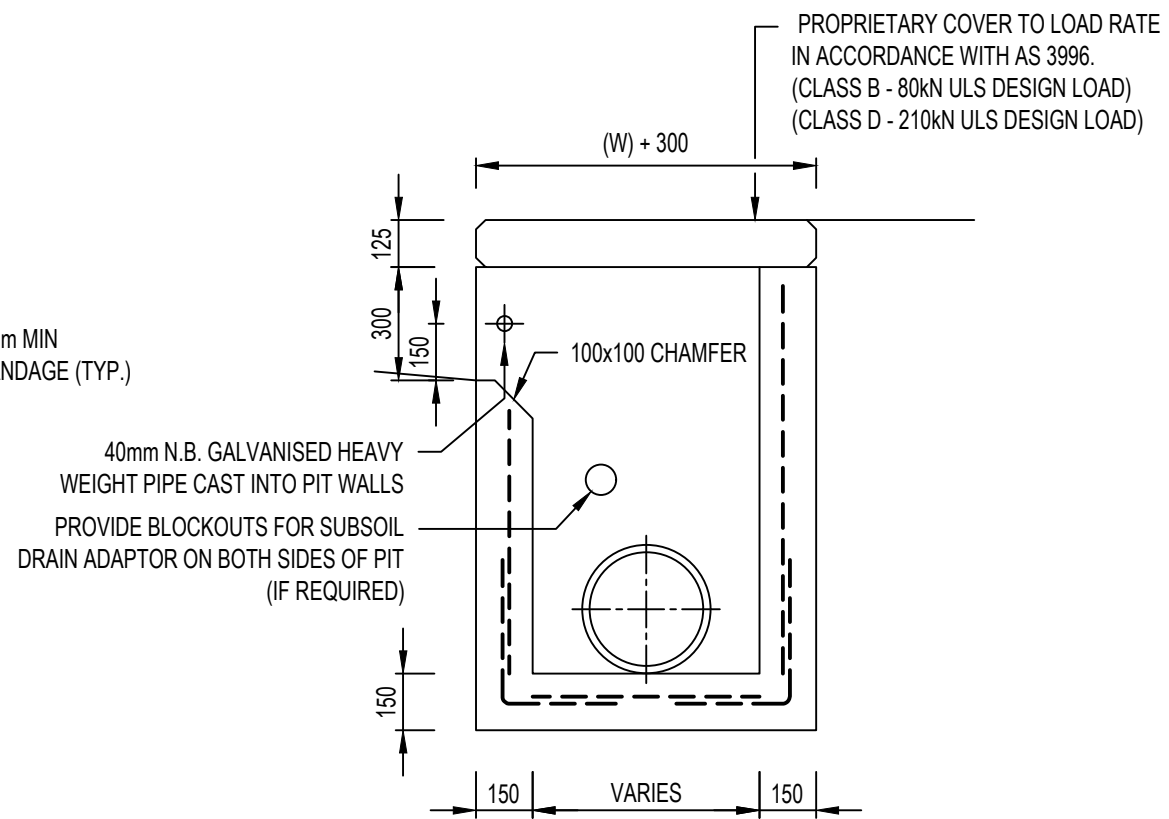
PLAN

NOTES:

1. PLACEMENT OF PIT WITHIN ROAD RESERVE SUBJECT TO COUNCIL APPROVAL.
2. REFER TO PIT SCHEDULE FOR CORRECT PIT ORIENTATION.



SECTION A-A



SECTION B-B

ALL MEASUREMENTS IN MILLIMETRES

REV	DESCRIPTION	DATE	DES	DRW	APP
C	MINOR AMENDMENTS	18.07.2017	JZ	JC	DSL
B	ISSUED FOR REVIEW	10.05.2016	JZ	DL	DSL
A	ISSUED FOR REVIEW	15.03.2016	RJF	DL	DSL

THIS PROJECT HAS BEEN ASSISTED BY THE LOCAL GOVERNMENT RESEARCH AND DEVELOPMENT SCHEME AND INSTITUTE OF PUBLIC WORKS ENGINEERING AUSTRALASIA

INFRASTRUCTURE GUIDELINES (SA)	
SHEET TITLE STORMWATER INLET CATCH PIT / FIELD GULLY	
SCALE NTS @ A3	
DRAWING No. SD 315	REV C