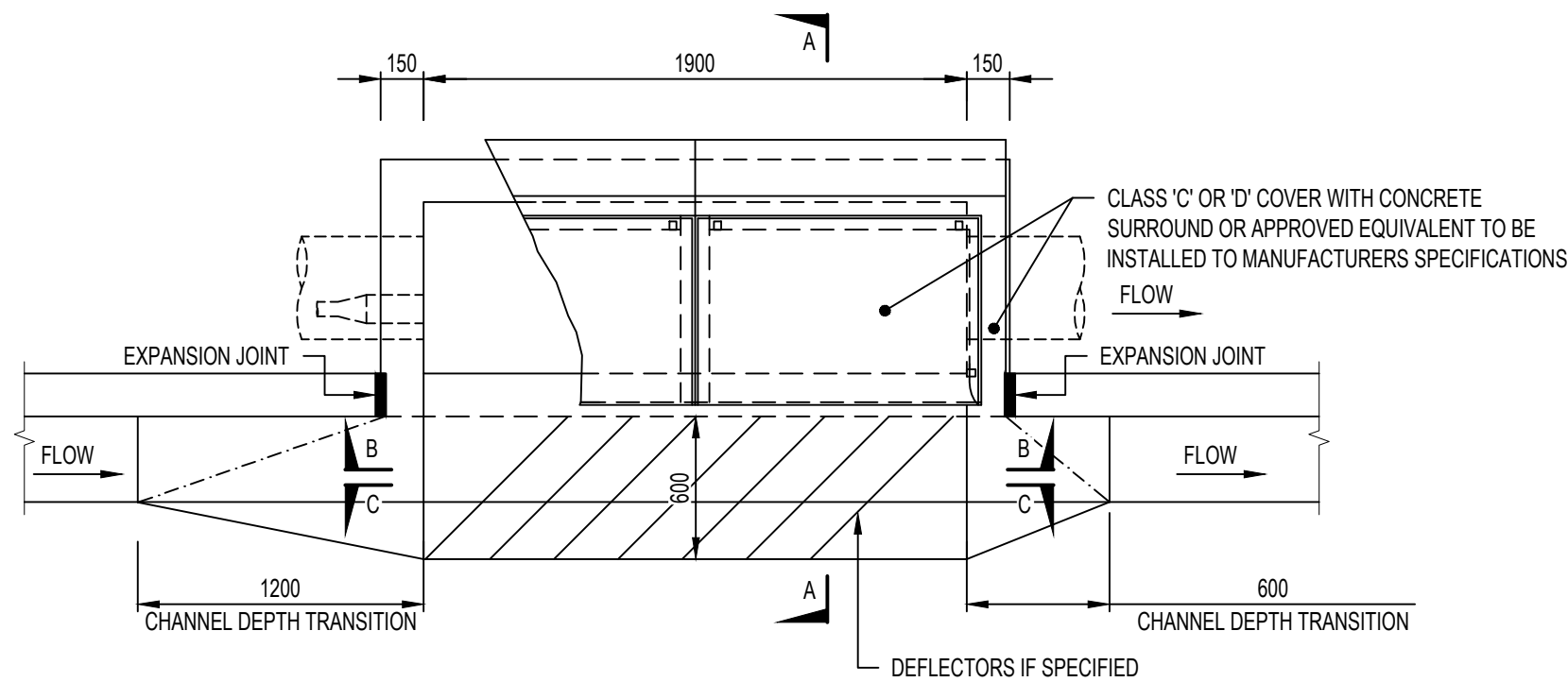
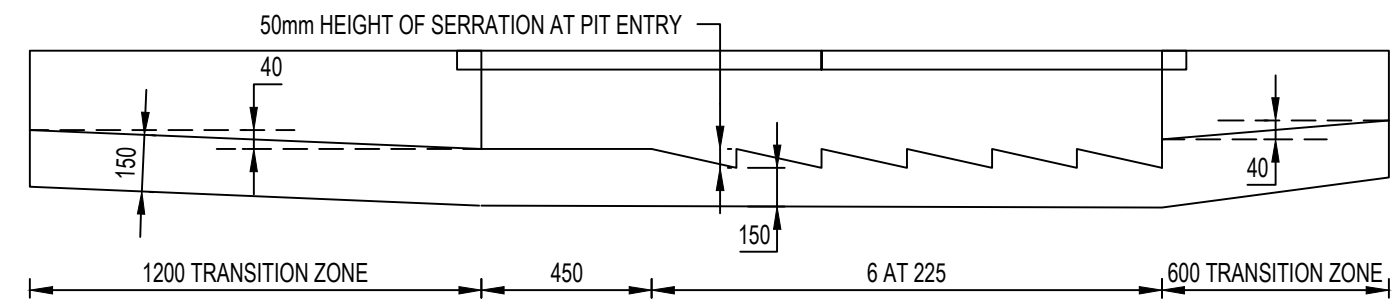


NOTE:

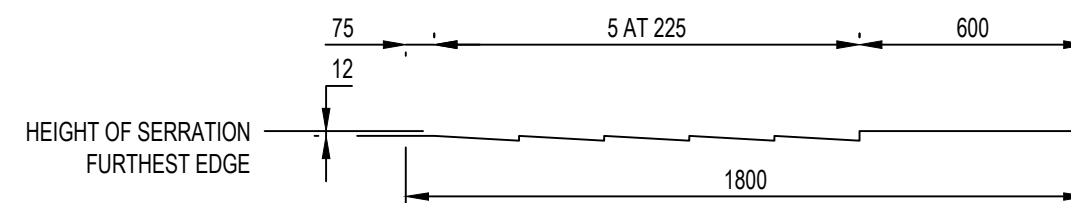
1. REFER TO SD 100 FOR KERB DETAILS.
2. CHANNEL DEPTH TRANSITION TO BE INCREASED TO 1200mm BOTH SIDES AT LOW POINT (SAG) LOCATIONS



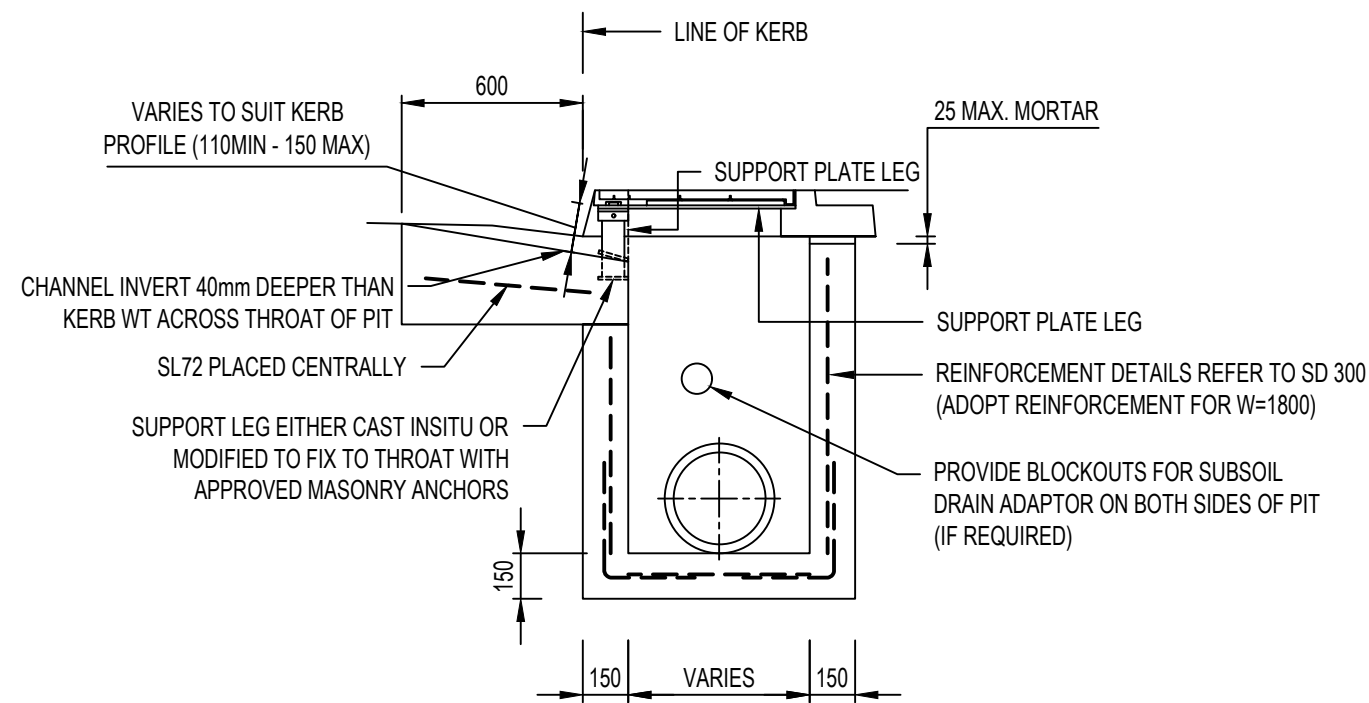
PLAN



SECTION B-B



SECTION C-C



SECTION A-A

ALL MEASUREMENTS IN MILLIMETRES

REV	DESCRIPTION	DATE	DES	DRW	APP
C	MINOR AMENDMENTS	18.07.2017	JZ	JC	DSL
B	ISSUED FOR REVIEW	10.05.2016	JZ	DL	DSL
A	ISSUED FOR REVIEW	15.03.2016	RJF	DL	DSL

THIS PROJECT HAS BEEN ASSISTED BY THE LOCAL GOVERNMENT RESEARCH AND DEVELOPMENT SCHEME AND INSTITUTE OF PUBLIC WORKS ENGINEERING AUSTRALASIA

INFRASTRUCTURE GUIDELINES (SA)	
SHEET TITLE STORMWATER DOUBLE SIDE ENTRY PIT 1900mm INLET	
SCALE NTS @ A3	
DRAWING No. SD 330	REV C