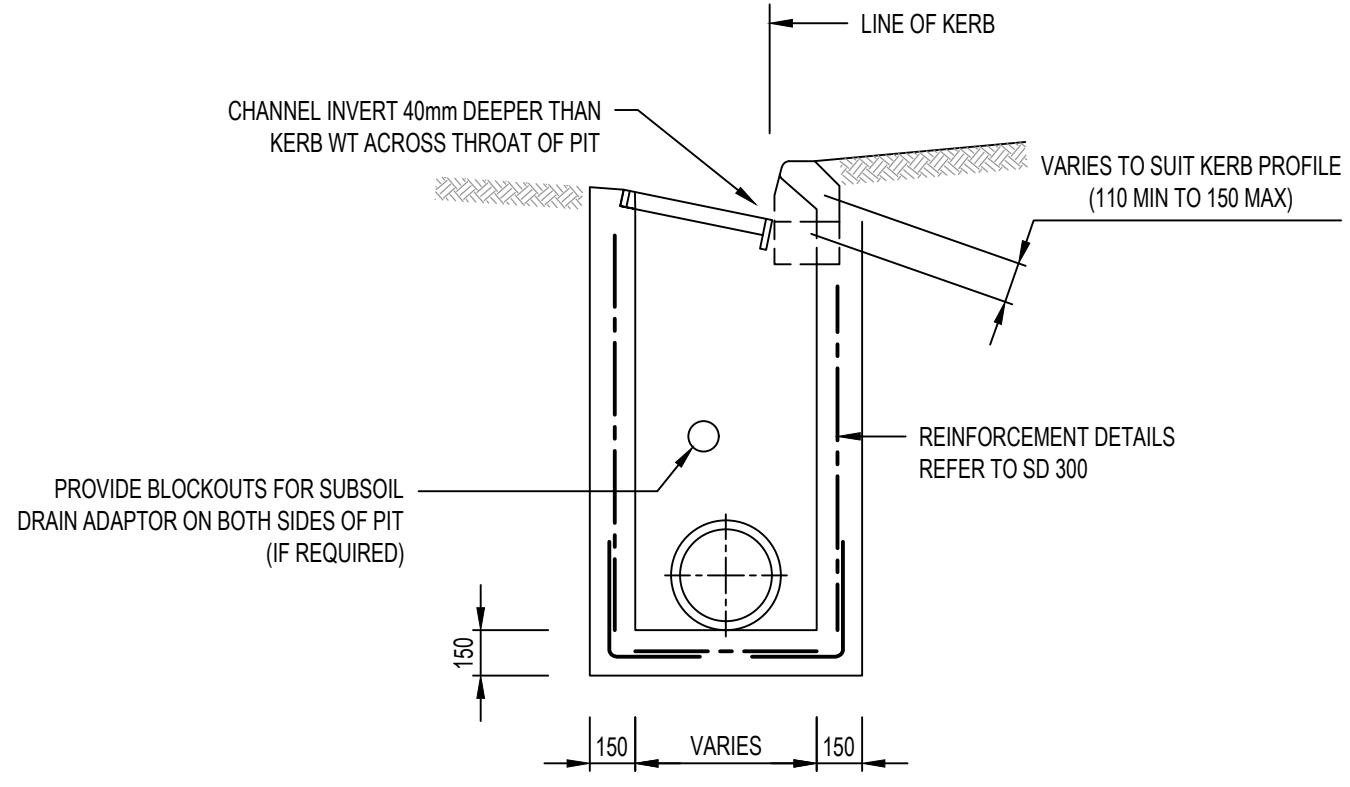


**PLAN**



**SECTION A-A**

**NOTES:**

1. REFER TO SD100 FOR KERB DETAILS.
2. CLASS D LOAD RATING REQUIRED.
3. CHANNEL DEPTH TRANSITION TO BE INCREASED TO 1200mm ON BOTH SIDES AT LOW POINT (SAG) LOCATIONS

ALL MEASUREMENTS IN MILLIMETRES

REV	DESCRIPTION	DATE	DES	DRW	APP
C	MINOR AMENDMENTS	18.07.2017	JZ	JC	DSL
B	ISSUED FOR REVIEW	10.05.2016	JZ	DL	DSL
A	ISSUED FOR REVIEW	15.03.2016	RJF	DL	DSL

THIS PROJECT HAS BEEN ASSISTED BY THE LOCAL GOVERNMENT RESEARCH AND DEVELOPMENT SCHEME AND INSTITUTE OF PUBLIC WORKS ENGINEERING AUSTRALASIA

INFRASTRUCTURE GUIDELINES (SA)	
SHEET TITLE <b>PRECAST SIDE ENTRY PIT INLET WITH GRATE INLINE</b>	
SCALE NTS @ A3	
DRAWING No. <b>SD 335</b>	REV <b>C</b>