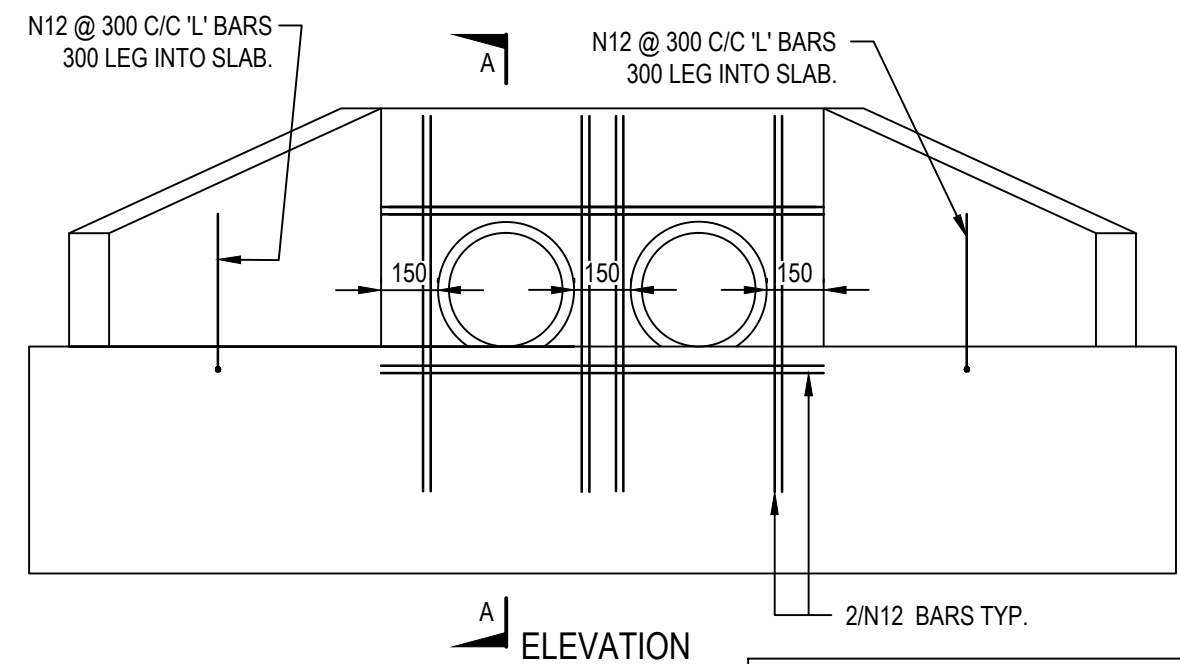
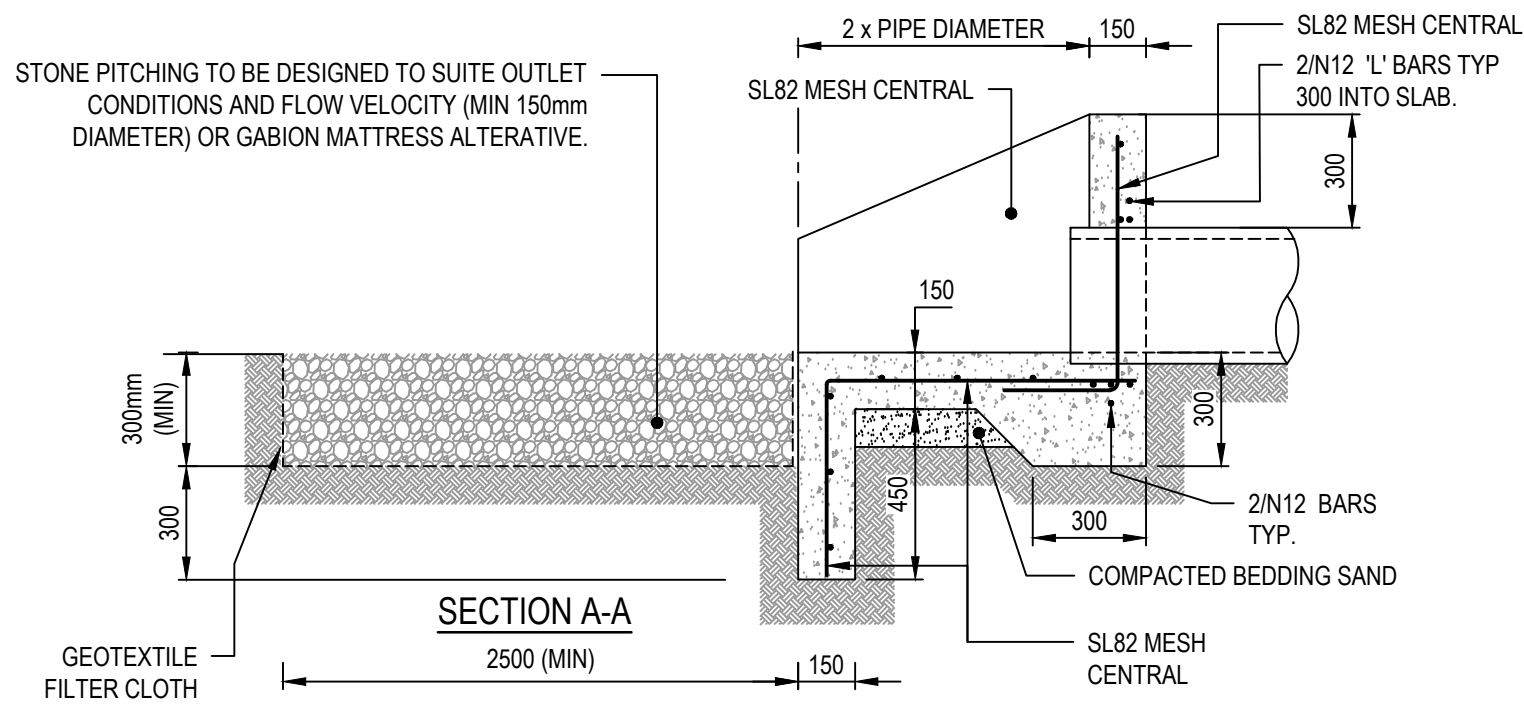
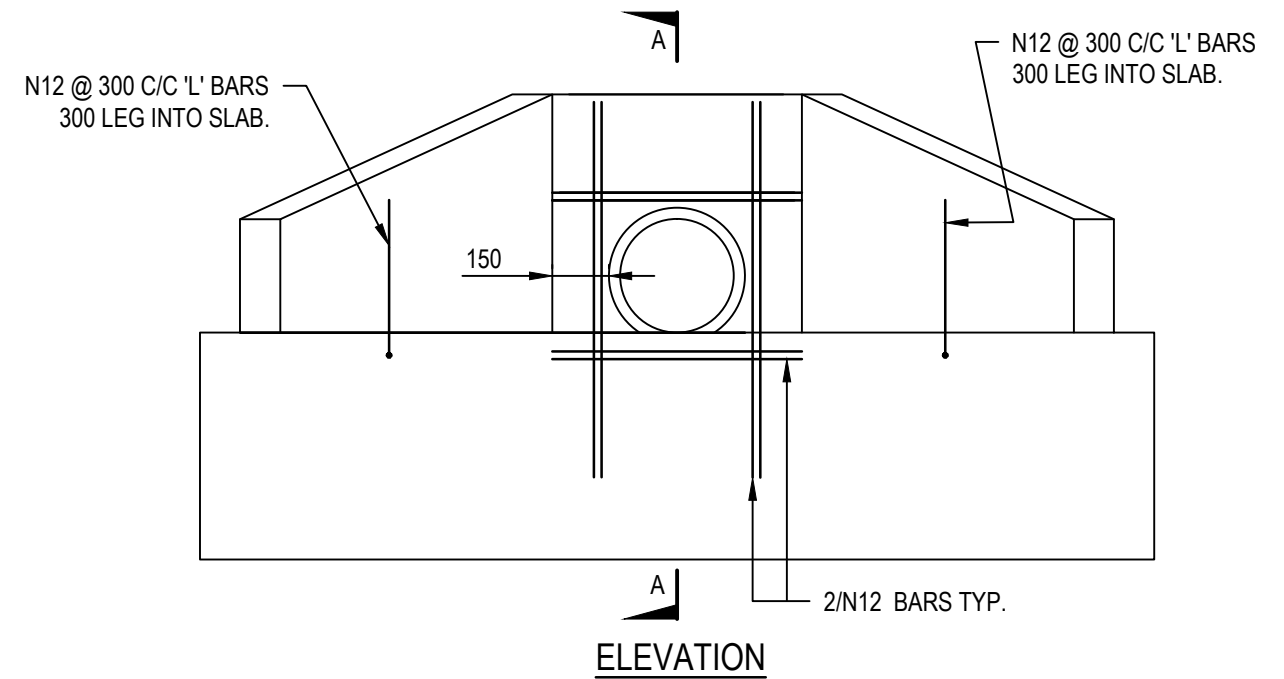
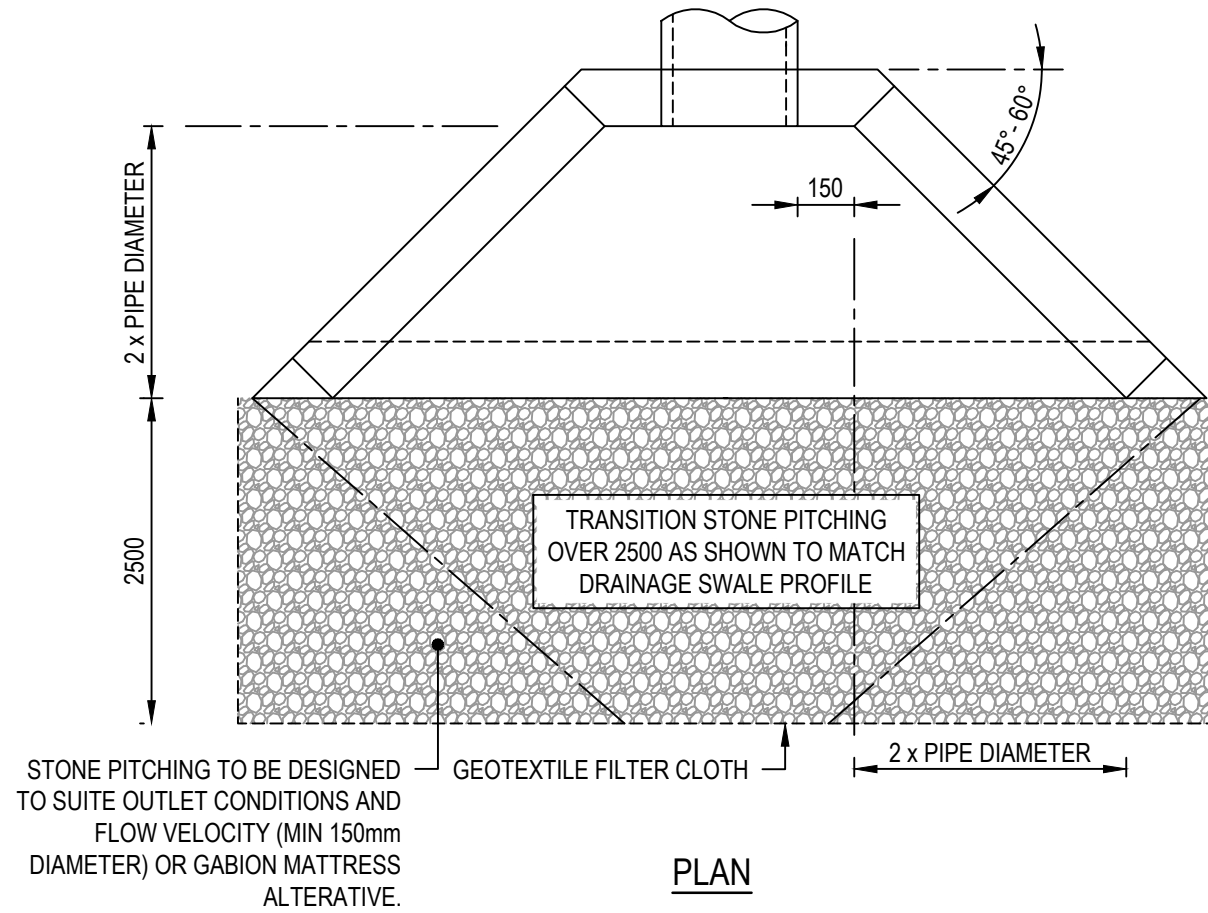


NOTES:

1. STREAMLINING AT UPSTREAM END ONLY
2. SCOUR PROTECTION AT OUTLET AS SHOWN, UNLESS OTHERWISE APPROVED.
3. APPROVED PRECAST HEADWALLS MAY BE USED AS AN ALTERNATIVE .
4. MINIMUM COVER TO PIPES TO BE 300mm.
5. MINIMUM FABRIC LAP 300mm
6. CONCRETE GRADE TO BE N32, SLUMP 80mm IN ACCORDANCE WITH AS3600.
7. MAXIMUM BATTER SLOPE ABOVE HEADWALL 1V : 2H
8. FENCING AT TOP OF HEADWALL MAY BE REQUIRED IN LOCATION WHERE HEIGHT > 1.0m AND SITE ACCESSIBLE TO THE PUBLIC.



ALL MEASUREMENTS IN MILLIMETRES

| REV | DESCRIPTION | DATE | DES | DRW | APP |
|-----|-------------------|------------|-----|-----|-----|
| E | MINOR AMENDMENTS | 06.11.2018 | AF | AF | MDH |
| D | ISSUED FOR REVIEW | 17.07.2017 | JZ | SGP | SH |
| C | ISSUED FOR REVIEW | 10.06.2016 | JZ | DL | DSL |
| B | ISSUED FOR REVIEW | 10.05.2016 | JZ | DL | DSL |
| A | ISSUED FOR REVIEW | 15.03.2016 | JZ | DL | DSL |

THIS PROJECT HAS BEEN ASSISTED BY THE LOCAL GOVERNMENT RESEARCH AND DEVELOPMENT SCHEME AND INSTITUTE OF PUBLIC WORKS ENGINEERING AUSTRALASIA

INFRASTRUCTURE GUIDELINES (SA)
 SHEET TITLE
**STANDARD HEADWALL FOR PIPES
 300-375 DIAMETER**

SCALE
 NTS @ A3
 DRAWING No. **SD 345** REV **E**