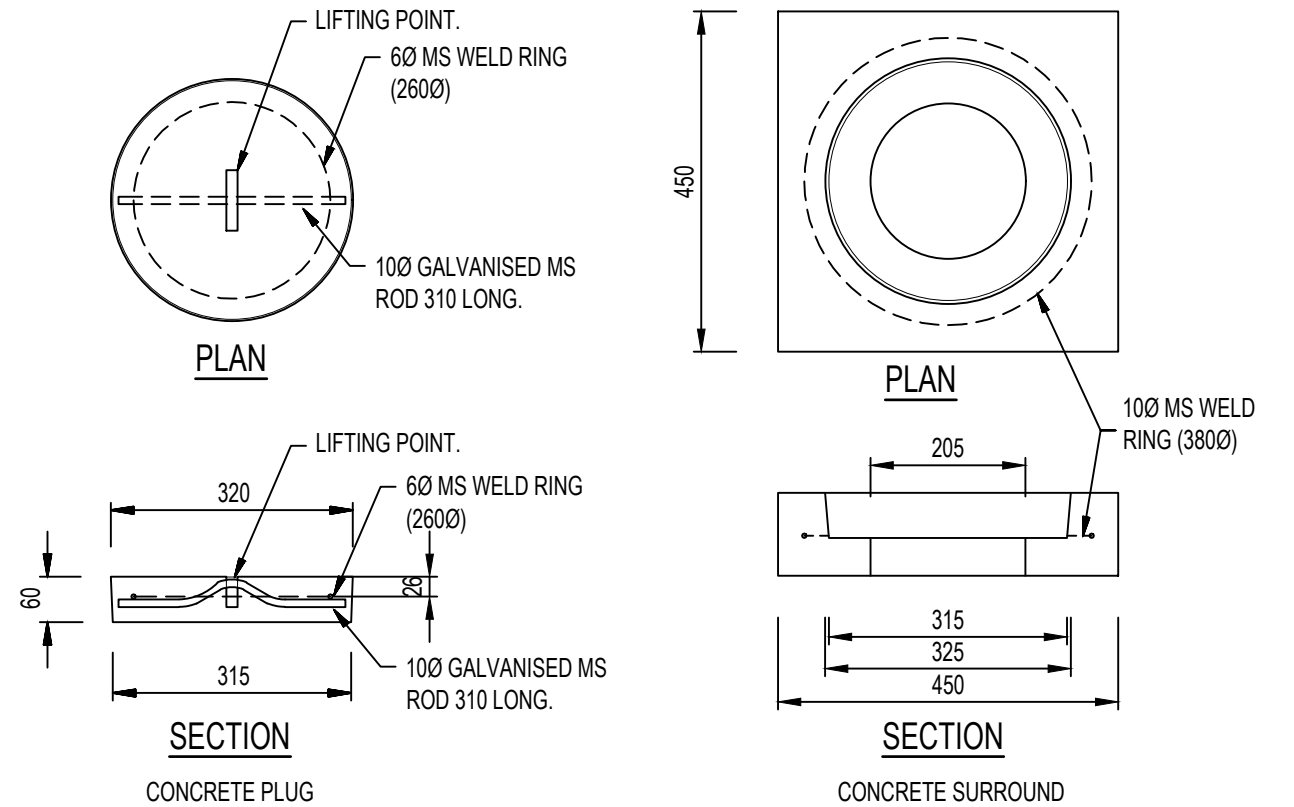
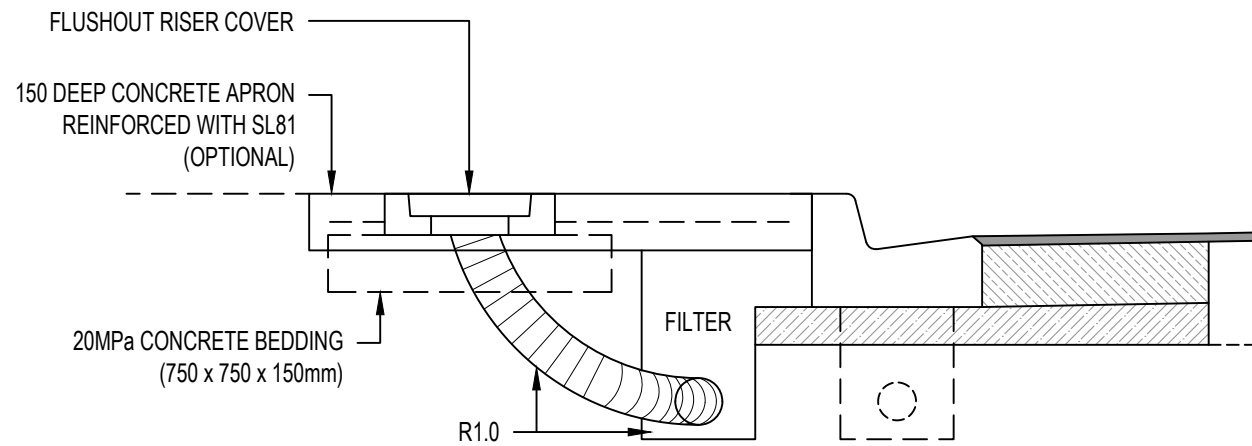


TYPICAL FLUSHOUT RISER PLAN



FLUSHOUT RISER COVER DETAIL



TYPICAL FLUSHOUT RISER SECTION

ALL MEASUREMENTS IN MILLIMETRES

| REV | DESCRIPTION | DATE | DES | DRW | APP |
|-----|-------------------|------------|-----|-----|-----|
| B | ISSUED FOR REVIEW | 10.05.2016 | JZ | DL | DSL |
| A | ISSUED FOR REVIEW | 15.03.2016 | JZ | DL | DSL |

| | | | | | |
|--|--|--|--|--|--|
| INFRASTRUCTURE GUIDELINES (SA) | | | | | |
| SHEET TITLE | | | | | |
| SUBSOIL DRAINAGE FLUSHOUT RISER DETAIL | | | | | |

| | |
|-------------|-----|
| SCALE | |
| NTS @ A3 | |
| DRAWING No. | REV |
| SD 395 | B |

THIS PROJECT HAS BEEN ASSISTED BY THE LOCAL GOVERNMENT RESEARCH AND DEVELOPMENT SCHEME AND INSTITUTE OF PUBLIC WORKS ENGINEERING AUSTRALASIA