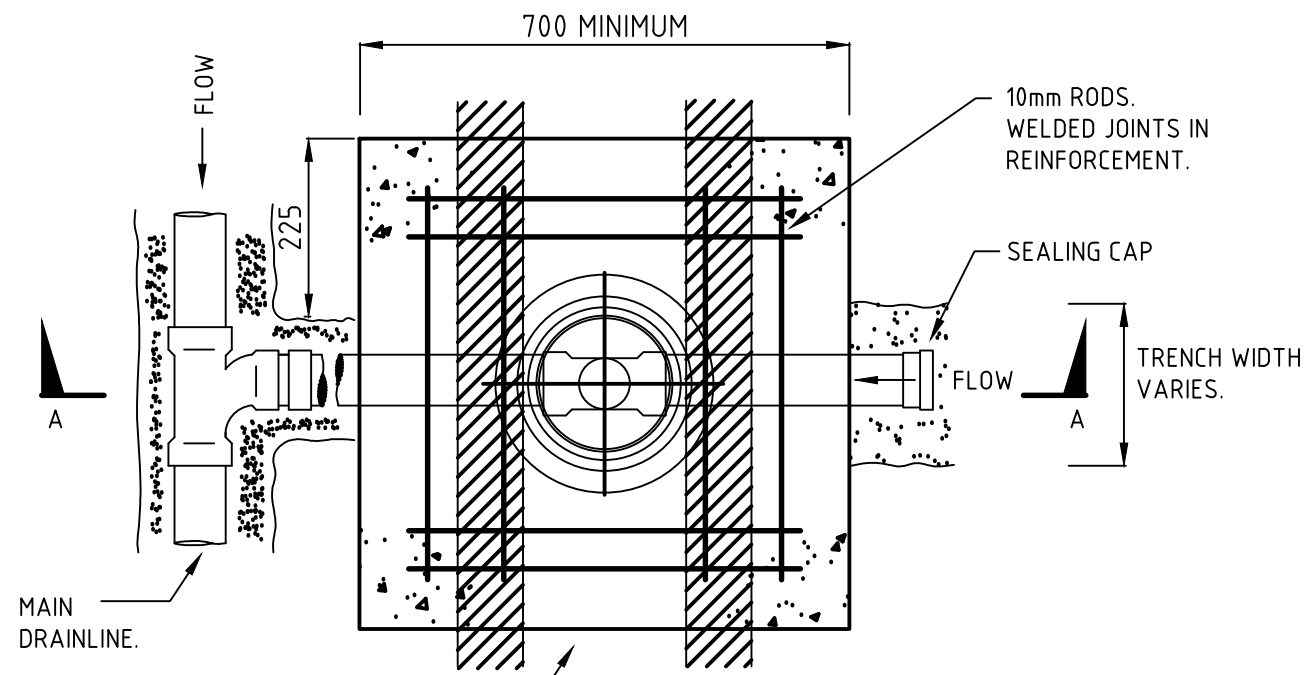


SECTION A-A



PLAN

REINFORCED PRECAST CONCRETE BASE. WHERE THE F.P. BASE IS INSTALLED IN THE ADJOINING ALLOTMENT, ROADWAY OR FOOTPATH, THE CONNECTION SHALL BE EXTENDED AT LEAST 500mm INTO THE ALLOTMENT BEING PROVIDED WITH THE CONNECTION.

- NOTES:
1. "TYPE 1" SLAB AND COVER TO BE USED IN ROADS, ROAD RESERVES AND ALL TRAFFICABLE AREAS.
  2. "TYPE 2" SLAB AND COVER TO BE USED IN REAR OF ALLOTMENT ONLY - NON TRAFFICABLE AREAS.
  3. ALL ON LINE FLUSHING POINTS & ALLOTMENT CONNECTION I.P.s "TYPE 1" TO HAVE PRECAST CONCRETE BASE.
  4. USE 100X100X1000 LONG PERMAPINE OR EQUIVALENT BEARERS IN LIEU OF CONCRETE BASE FOR ALLOTMENT CONNECTION I.P.s "TYPE 2". BEARERS TO SPAN PERPENDICULAR TO TRENCH AND BE FOUNDED MIN. 200mm ONTO FIRM SOIL.
  5. CAST IRON COVER SIZE TO BE 150mm FOR  $\phi$ 100mm RISER AND 230mm FOR  $\phi$ 150mm RISER

ALL MEASUREMENTS IN MILLIMETRES

						INFRASTRUCTURE GUIDELINES (SA)			
						SHEET TITLE			
						TYPICAL CONNECTION AND			
						FLUSHING POINT COVER DETAILS			
						CWMS			
B	MINOR AMENDMENTS	6.11.2018	AF	AF	MDH	SCALE			
A	MINOR AMENDMENTS	18.07.2017	JZ	JC	DSL	NTS @ A3			
REV	DESCRIPTION	DATE	DES	DRW	APP	DRAWING No.		REV	
THIS PROJECT HAS BEEN ASSISTED BY THE LOCAL GOVERNMENT RESEARCH AND DEVELOPMENT SCHEME AND INSTITUTE OF PUBLIC WORKS ENGINEERING AUSTRALASIA						SD 725		B	